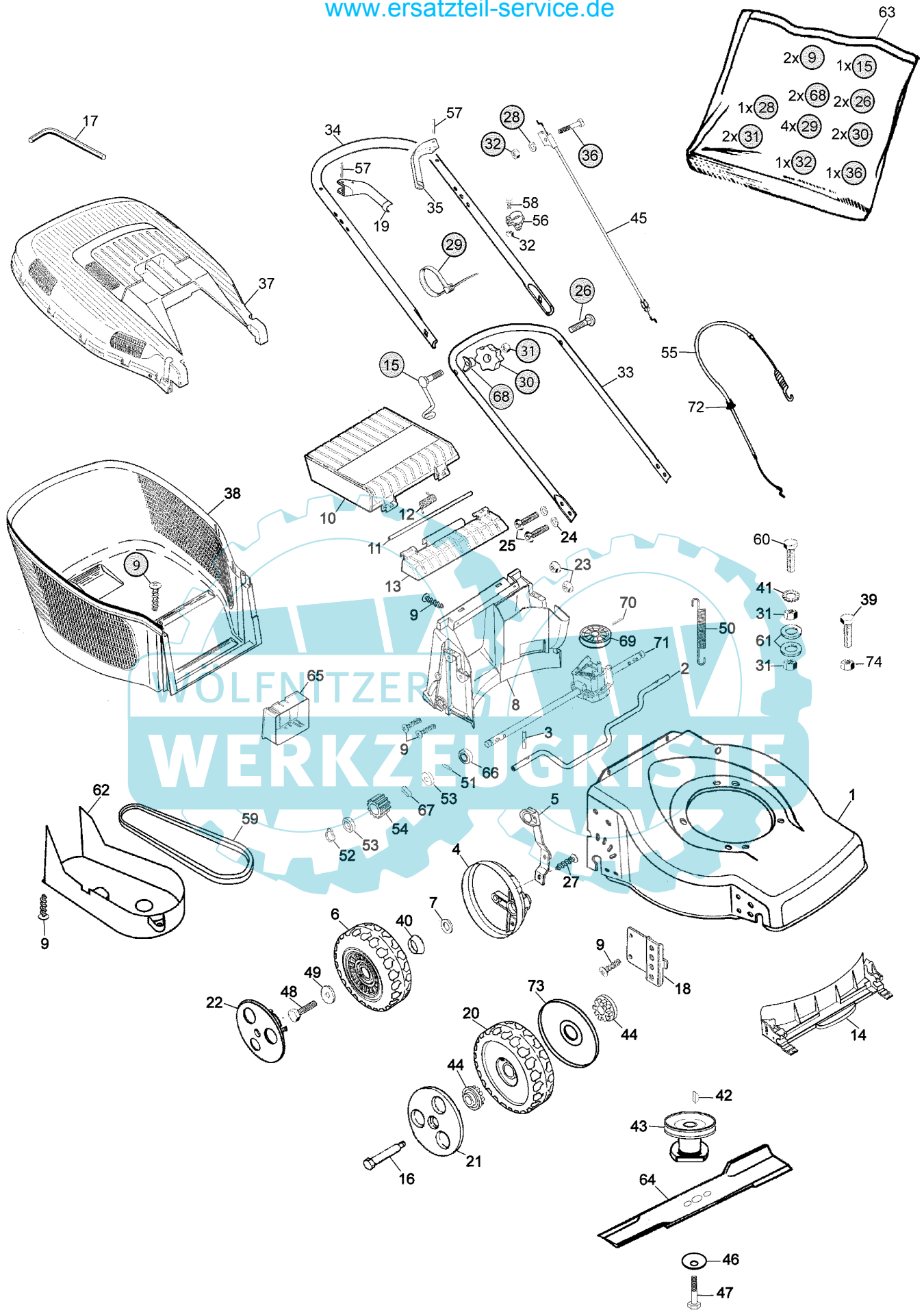


B056A



Ausgabe Issue		Bild Nr Picture No		HANSEATIC 45 BA CMI 45 BA		HANSEATIC 45 BA CMI 45 BA		Seite Page	
2004- 1		B056A						16	
Pos. Fig.	Anzahl/Quantity				Artikel Nr. Part No	Bezeichnung	Description	Satz Kit	Anmerkung Notes
1	1				1117-3262-03	Chassie- grün.....	Chassis- green .....		
2	1				1117-1160-01	Hinterachse .....	Shaft- backside.....		
3	2				9595-0212-00	Spannstift .....	Locating pin .....		
4	2				1117-3256-01	Raddeckel.....	Wheel protection cap .....		
5	1				1117-1174-01	Höheneinstellhebe .....	Height adjust lever .....		
6	2				1111-2663-01	Rad.....	Wheel.....		
7	2				9699-0037-02	Scheibe.....	Washer.....		
8	1				1117-3008-01	Leitschiene- hintere .....	Baffle- rear .....		
9	14				9836-9516-12	Schraube .....	Screw.....		
10	1				1117-1156-02	Klappe- schwarz .....	Rear flap- black .....		
11	1				1117-1143-01	Achse.....	Shaft .....		
12	1				1117-1126-01	Feder .....	Spring- rear flap .....		
13	1				1117-1155-02	Klapphalterung- schw. ....	Flap holder- black .....		
14	1				1117-3007-01	Leitschiene- vordere .....	Baffle- front .....		
15	1				1136-0747-01	Schraube m. Öse .....	Screw w. loop .....		
16	2				1117-3223-01	Ansatzbolzen .....	Shoulder bolt .....		
17	1				1117-1355-01	Schlüssel .....	Socket wrench .....		
18	2				1117-3009-01	Radplatte .....	Wheel plate .....		
19	1				1117-3222-01	Regulierbügel .....	Control lever .....		
20	2				1111-3163-01	Rad.....	Wheel.....		
21	2				1117-3224-02	Nabenkapsel- weiß.....	Hub cap- white .....		
22	2				1111-2815-03	Nabenkapsel- weiß.....	Hub cap- white .....		
23	4				1117-1131-01	Mutter .....	Nut .....		
24	4				9699-0028-02	Scheibe.....	Flat washer.....		
25	4				1117-1364-01	Schraube .....	Screw.....		
26	1				1136-0620-01	Schraube .....	Screw.....		
27	2				9836-9512-12	Schraube .....	Screw.....		
28	1				9699-0025-02	Scheibe.....	Washer.....		
29	4				1136-1403-01	Kabelhalter.....	Cable holder .....		
30	2				1117-3194-01	Verriegelungsrad .....	Locking knob .....		
31	4				9799-0831-02	Mutter .....	Nut .....		
32	2				9799-0631-02	Mutter .....	Nut .....		
33	1				1117-1149-01	Führungsholm- Untert. ....	Handle- lower part .....		
34	1				1117-1223-01	Führungsholm- Obert. ....	Handle- upper part .....		
35	1				1117-3221-01	Regulierbügel .....	OPC lever .....		
36	1				9997-0635-12	Schraube .....	Screw.....		
37	1				1117-1157-02	Behälterdeckel- schwarz.....	Grassbag cover- black.....		
38	1				1117-1218-01	Behälter- Unterteil.....	Lower grass bag .....		
39	2				9997-0830-16	Schraube .....	Screw.....		
40	4				1111-1273-01	Buchse.....	Bushing.....		
41	1				9678-0009-02	Schloßscheibe .....	Lock washer.....		
42	1				9600-0014-00	Keil .....	Key.....		
43	1				1111-9716-01	Messerhalterung.....	Blade holder .....		
44	4				1117-3012-01	Lagerbuchse.....	Wheel bush .....		
45	1				1111-9710-01	Motorbremsdraht .....	Engine brake cable .....		
45	1				1117-3273-01	Motorbremsdraht .....	Engine brake cable .....		
46	1				1117-1065-01	Tellerfeder.....	Spring washer.....		
47	1				9987-5251-12	Schraube .....	Screw.....		
48	2				1136-1397-01	Schraube .....	Screw.....		
49	2				9699-0085-02	Scheibe.....	Flat washer.....		
50	1				1117-1120-01	Feder .....	Spring .....		
51	2				9591-0011-00	Stift .....	Pin .....		
52	2				1117-1083-01	Schließring .....	Safety ring.....		
53	4				1111-2830-01	Stützscheibe .....	Support washer.....		
54	2				1111-3075-01	Zahnrad- plastikrad.....	Pinion- plastic wheel .....		
55	1				1117-1191-01	Kupplungsdraht.....	Control cable.....		
56	1				1117-1114-01	Drahthalter.....	Support.....		
57	2				9595-0258-00	Spannstift.....	Locating pin .....		
58	1				9865-0616-16	Schraube .....	Screw.....		
59	1				1111-9725-01	Keilriemen .....	V- belt.....		
60	1				1117-1268-01	Bolzen.....	Bolt .....		
61	2				9699-0062-02	Scheibe.....	Flat washer.....		
62	1				1117-1147-01	Riemenschutz.....	Transmission cap .....		

Briggs & Stratton  
Tecumseh



B056A



Ausgabe Issue 2004- 1		Bild Nr Picture No B056A		HANSEATIC 45 BA CMI 45 BA		HANSEATIC 45 BA CMI 45 BA		Seite Page 18	
Pos. Fig.	Anzahl/Quantity				Artikel Nr. Part No	Bezeichnung	Description	Satz Kit	Anmerkung Notes
X	63	1			1136- 1415-01	Montagesatz .....	Assy kit .....		Inkl. 69 + 70
	64	1			1111- 9723-01	Messer .....	Blade .....		
	65	1			1111- 2927-01	Batteriehalter .....	Battery holder .....		
	66	2			9549- 0053-00	Kugellager .....	Ball bearing .....		
	67	2			1111- 3256-01	Treibkeil .....	Drive key .....		
	68	2			1136- 0693-01	Scheibe .....	Washer .....		
	69	1			1117- 3018-01	• Riemenscheibe .....	• Pulley .....		
	70	1			1111- 2382-01	• Stift .....	• Pin .....		
	71	1			1117- 3376-01	Getriebe .....	Transmission .....		
X	72	1			1136- 1399-01	Kabelschutz .....	Cable protector .....		
	73	2			1117- 1161-01	Radschutz .....	Wheel protection .....		
	74	2			9739- 0831-22	Mutter .....	Nut .....		

